



VTD-MD2-4 2.1 Megapixel 4-in-1 HDA Angled Mini Dome Cameras



FEATURES:

- 1/2.8" Sony STARVIS CMOS Sensor
- HD-TVI / AHD / CVI / CVBS Video Output
- Advanced Starlight Technology Offers Dramatically Higher Sensitivity to Light Producing Color Images in Very Dark & Night Scenes
- 3.0mm Lens Included
- Included tilted surface mount allows for more versatile camera angle
- Digital Wide Dynamic Range (D-WDR)
- 3D-DNR - Three Dimensional Motion Adaptive Noise Reduction
- External OSD Joystick Controller
- Advanced OSD Functions: BLC/HLC, D-WDR, Motion detection, Privacy mask, Flip, DeFog
- CoC (Control Over COAX)
- Over 1500' HD Video Transmission (Depending on cable characteristics and integrity)
- Can be Semi-Flush or Surface Mounted
- Available in Ivory (VTD-MD2-4I) or Chrome (VTD-MD2-4CH)
- 12VDC Operation
- 3 Year Warranty



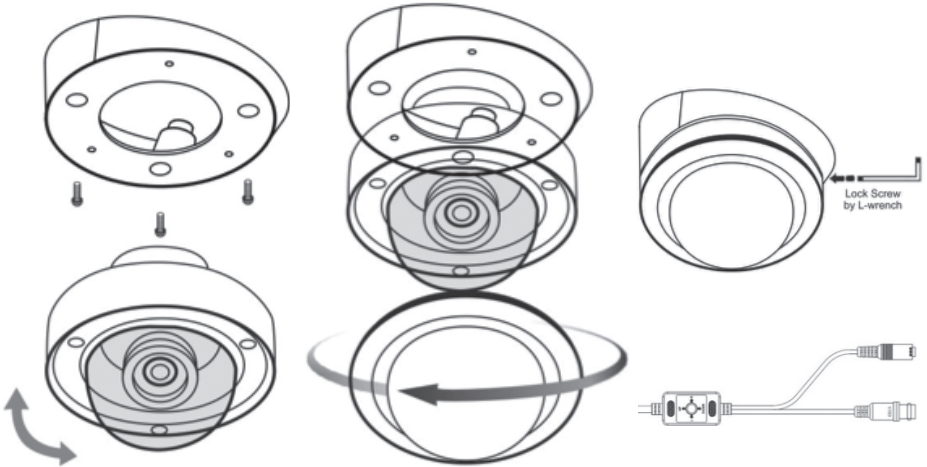
VITEK

INSTALLATION / SETUP

INCLUDED IN THE BOX:

- 1) Mini Dome Camera
- 2) Mounting Base
- 3) Wall Mount & Camera Mount Screws
- 4) L-Wrench.

INSTALLATION:



- 1) Attach the surface mount bracket to the wall or ceiling with the included screws.
- 2) Attach the camera to the surface mount bracket with the included screw.
- 3) Attach the dome cover to the camera by turning clockwise.
- 4) Secure the dome cover to the camera with the Included L-Wrench.
- 5) Connect 12VDC Power & Video Cables.

SELECT MODE WITH ON-CABLE OSD JOYSTICK:



CVBS Mode: Push joystick LEFT for 5 seconds

AHD Mode: Push joystick RIGHT for 5 seconds

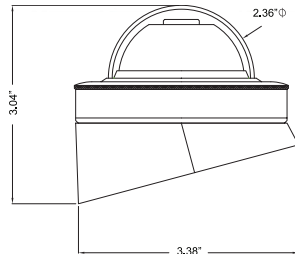
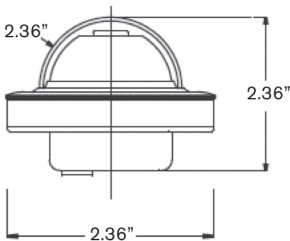
CVI Mode: Push joystick UP 5 seconds

TVI Mode: Push joystick DOWN for 5 seconds

SPECIFICATIONS

Detailed Specifications

Image Sensor	1/2.8" Sony STARVIS CMOS Sensor
Active Pixel	1920(H) x 1080(V)
Resolution	1080p @ 30fps (AHD / TVI / CVI) / 960H: CVBS
Lens	3mm/F=1.6
Min. Illumination	0.001 Lux (F=1.2)
Scanning System	Progressive
Video Output	AHD / TVI / CVI / CVBS
S/N Ratio	More than 50dB (AGC off)
AGC	Off/0 - 15
Shutter Speed	AUTO/MANUAL(1/50(60) ~ 1/50,000 sec)
SENS-UP	Off/X2 - X30
Brightness	0 - 100
Backlight	Off/BLC/HSBLC
D-WDR	Off/0 ~ 8
DNR	3D-DNR
Defog	Off/Auto
Day & Night	Auto/Color/B&W/EXTERN
White Balance	ATW/AWC/INDOOR/OUTDOOR/Manual/AWB
Mirror	Off/MIRROR/V-FLIP/ROTATE
Sharpness	0 -10 steps
Privacy Mask	4 Masks
Motion Detection	Off/On
Communication	CDC (Control Over Coax)
Power Source	DC12V \pm 10%
Power Consumption	180mA (Max)
Operating Temperature	14 ~ 122 / 10% ~ 85% Humidity
Operating Humidity	10% to 85%
Weight	10.58 oz. (300 g.)
Dimension (W x H x Dia.)	Semi-Flush Mount: 2.36" x 2.36" x 2.36" / Surface Mount: 3.38" x 3.04" x 2.36"



LIMITED LIABILITY WARRANTY

VITEK products carry a three (3) year limited warranty. VITEK warrants to the purchaser that products manufactured by VITEK are free of any rightful claim of infringement or the like, and when used in the manner intended, will be free of defects in materials and workmanship for a period of three (3) years, or as otherwise stated above, from the date of purchase by the end user. This warranty is nontransferable and extends only to the original buyer or end user customer of a Vitek Authorized Reseller.

The product must have been used only for its intended purpose, and not been subjected to damage by misuse, wilful or accidental damage, caused by excessive voltage or lightning.

The product must not have been tampered with in any way or the guarantee will be considered null and void.

This guarantee does not affect your statutory rights.

Contact your local VITEK Reseller should servicing become necessary.

VITEK makes no warranty or guarantee whatsoever with respect to products sold or purchased through unauthorized sales channels. Warranty support is available only if product is purchased through a VITEK Authorized Reseller.



WWW.VITEKCCTV.COM

Version 1.0
November 2017