



All VITEK varifocals are manufactured in Japan encompassing the very highest quality glass optics. Their compact design enables ease of installation in small domes and outdoor camera enclosures. Locking screws make it easy to set and maintain focus settings.

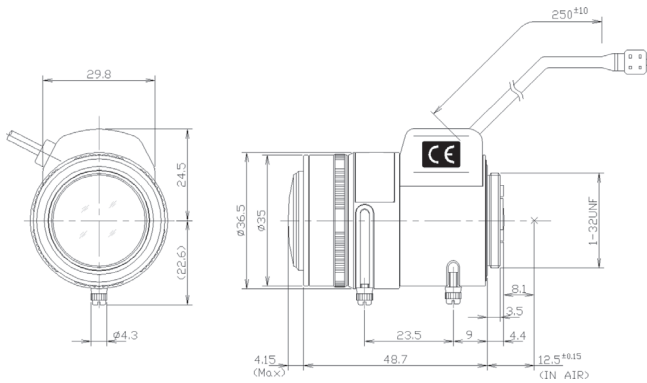
FEATURES:

- 3 MegaPixel HD
- 1/3" (VTL-MP289D/IR) & 1/2.7" (VTL-MP7550D/IR) Image Formats
- All Glass Optics
- Auto Iris, DC-Drive Iris operation
- CS Lens Mount
- 3 Year Warranty

Detailed Specifications	VTL-MP289D/IR	VTL-MP7550D/IR
MegaPixel	3 MegaPixel	3 MegaPixel
Image Format	1/3"	1/2.7"
Focal Length	2.8~9.0mm	7.5~50mm
Iris Operation	Auto Iris, DC-Drive	Auto Iris, DC-Drive
Iris Range	F1.2~F360	F1.5~F360
Horizontal FOV	97.7° 31.7°	44.6°~7.2°
Vertical FOV	71.9° 23.8°	30.2°~6.37°
Diagonal FOV	125.7° 39.6	50.99°~10.6°
Lens Mount	CS Mount	CS Mount
Back Focus	8.018 15.491mm	9.42~11.6mm
IR Corrected	YES	YES

DIMENSIONS:

VTL-MP289D/IR



VTL-MP7550D/IR

