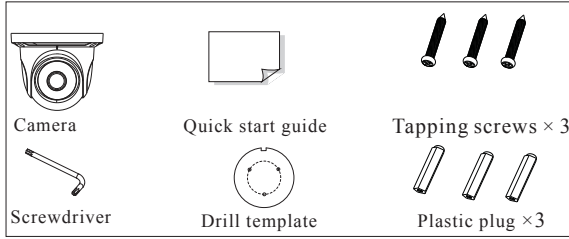
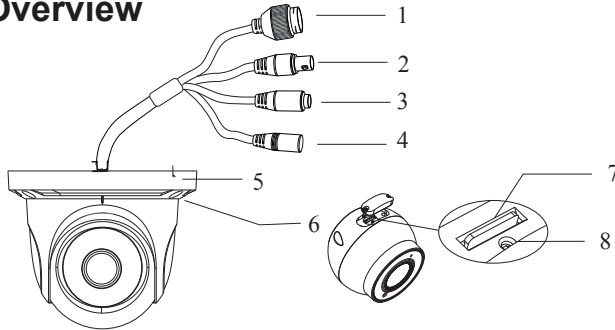


Components and Accessories



Overview



1	Ethernet connector	5	Mounting base
2	CVBS connector	6	Fixed screw
3	Audio input connector	7	Micro SD card slot
4	Power connector	8	Reset

QUICK START GUIDE



VITEK

FEATURES

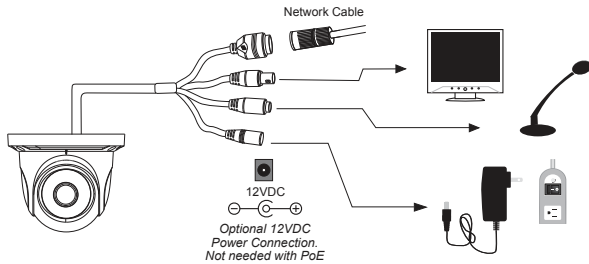
- 1/2.5" 8.0 Megapixel Progressive Scan CMOS image sensor
- Up to 30fps live view @ 8 MegaPixel (3840x2160)
- 3.6mm Fixed Iris Lens
- 1 High Power IR LED Illumination, with a 65' IR Range
- 120dB Super Wide Dynamic Range (WDR)
- True Mechanical Day/Night function by ICR
- XD-DNR (2D-DNR & 3D-DNR) Noise Reduction
- Fully Programmable Intelligent Analytics including Face Detection, Object Removal/Museum Search, Exception, Line Crossing, Area Intrusion, People Counting, People Intrusion, Crowd Density Monitoring
- H.265/H.264/MJPEG Triple Streaming
- Secondary Video Output (CVBS)
- Remote Viewing via CMS, Internet Explorer, and iOS & Android Apps
- ONVIF Compliant
- Micro SD Card support up to 128GB
- IP67 Weather Resistance
- Optional Junction Box (VT-TJB01/B) and Wall Mount (VT-TWMT3/B)
- 12VDC & PoE (Power over Ethernet) Operation

**FOR FULL PRODUCT MANUAL
 FOLLOW THE QR CODE BELOW**

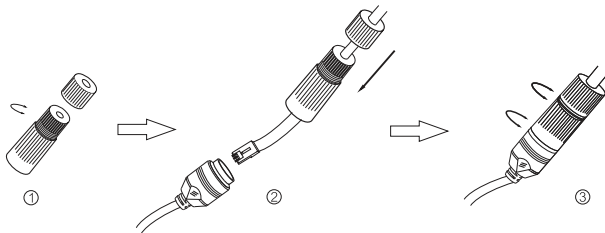


Network Cable & Power Connections

First connect the Waterproof Cap to an Ethernet patch cable, then connect the camera's ethernet adaptor. If not powering the camera with PoE, also connect the power Cable to an approved 12VDC Power Supply.



Weather Resistant Network Coupler

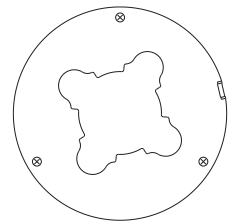


1. Loosen the nut from the Weather Resistant Network Coupler,
2. Run ethernet cable through coupler, then attach a RJ-45 connector.
3. Tighten the nut and coupler for a weather resistant seal.

Installation

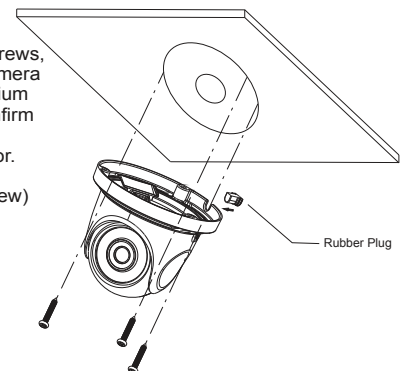
Before beginning installation, make sure that the wall or ceiling is strong enough to withstand 3 times the weight of the camera. The mounting steps are as follows:

1. Attach the drill template to the place where you want to install the camera, then drill 3 screw holes and 1 cable hole (if you want to route the cables through the mounting base) according to the drill template



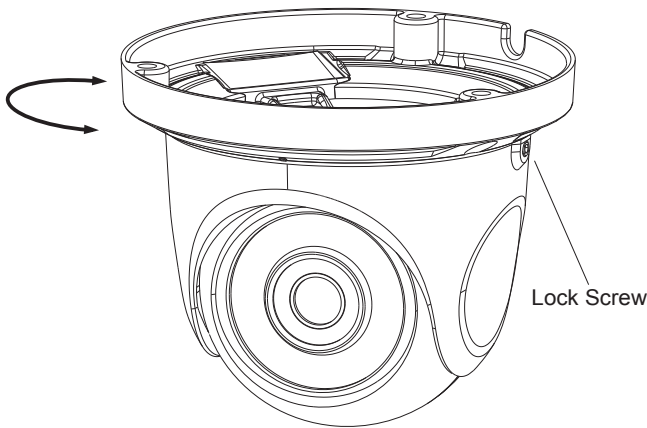
2. Route the cables and connect the power & video cables, use the rubber plug to fill the gap of the mounting base. then secure the mounting base to the ceiling or wall with screws.

3. Loosen the lock screws, then adjust the camera to obtain the optimum viewing angle. Confirm the correct viewing angle with a monitor. (See next page for location of lock screw)

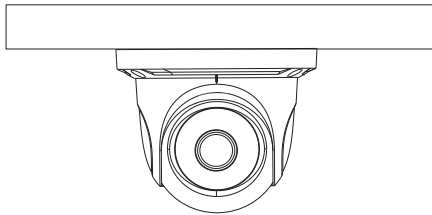


Installation

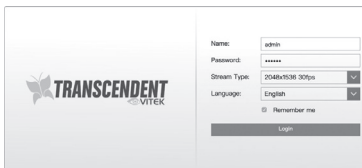
4. Tighten the lock screw to secure the viewing angle adjustments.



5. Carefully remove the protective film from the lens to complete the installation.



6. Double-click the IP address and then the system will pop up the web browser to connect IP-CAM. IE browser will download the Active X control automatically. After downloading, a login window will pop up as shown below:

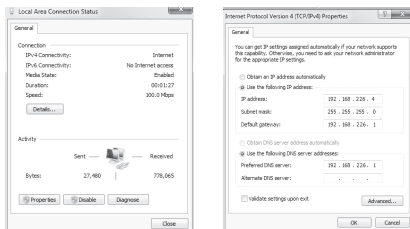


Input the user name and password to log in.
Default user name: admin / Default password: 123456.

Directly Access Through a Web Browser
The default network settings are as shown below:
IP address: 192.168.226.201 HTTP: 80
Subnet Mask: 255.255.255.0 Data Port: 9008
Gateway: 192.168.226.1
You may use the above default settings when you log in the camera for the first time.

1. Manually set the IP address of the PC and the network segment should be as the same as the default settings of IP-CAM. Open the network and share center. Click "Local Area Connection" to pop up the following window.

Select "Properties" and then select Internet protocol according to the actual situation (for example: IPV4). Next, click "Properties" button to set the network of the PC.

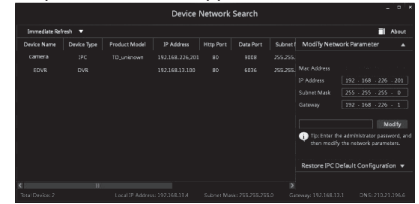


LAN Configuration

The camera can be accessed on the local network either using the IP-Tool or directly in a web browser.

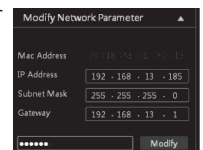
Accessing the Camera Using the IP-Tool

1. Make sure the camera and PC are connected to the LAN.
2. Locate the IP-Tool installer on the Vitek Website: vitekctv.com/Downloads/Software/Transcendent-IPTool_v2.0.2.zip (also available via the QR code below)
Then install on the PC. Open the installed application.



3. Modify the IP address. The default IP address is 192.168.226.201. Click the information of the camera listed in the above table to show the network information of the camera and make sure its network address is in the same local network segment as the computer's. Please modify the IP address of your device according to the practical situation.

For example, the IP address of your computer is 192.168.13.4. So the IP address of the camera shall be changed to 192.168.13.X. After modification, please input the password of the administrator and click "Modify" button to modify the setting.



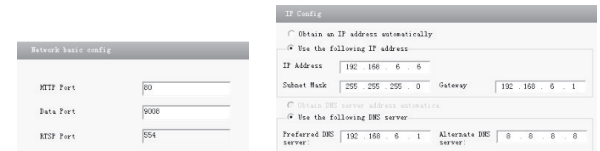
** Default admin password: "123456".

2. Open the IE Browser and input the default address of IP-CAM and confirm. The IE browser will download Active X control automatically.
3. After downloading Active X control, the login dialog box will pop up.
4. Input the default username and password and then enter to view.

WAN Configuration

Access the camera by the router or virtual server for example.

1. Make sure the camera is connected to the LAN; Then log into the camera via LAN and go to System Config→Network Config→Port menu to set up the port number.
2. Enter System Config→Network Config→IP Address menu to modify the IP address.



3. Go to the router's management interface through IE browser to forward the IP address and port of IP-CAM in the "Virtual Server".

Port Range						
Application	Start	End	Protocol	IP Address	Enabl	
1	9008	9008	Both	192.168.6.6	<input checked="" type="checkbox"/>	
2	80	81	Both	192.168.6.6	<input checked="" type="checkbox"/>	
3	10000	11001	Both	192.168.6.166	<input type="checkbox"/>	
4	21000	21001	Both	192.168.6.156	<input type="checkbox"/>	
5	7777	7778	Both	192.168.6.206	<input type="checkbox"/>	
6	1029	1030	Both	192.168.6.207	<input type="checkbox"/>	

4. Open the web browser and input its WAN IP and HTTP port to access the IP-CAM.