

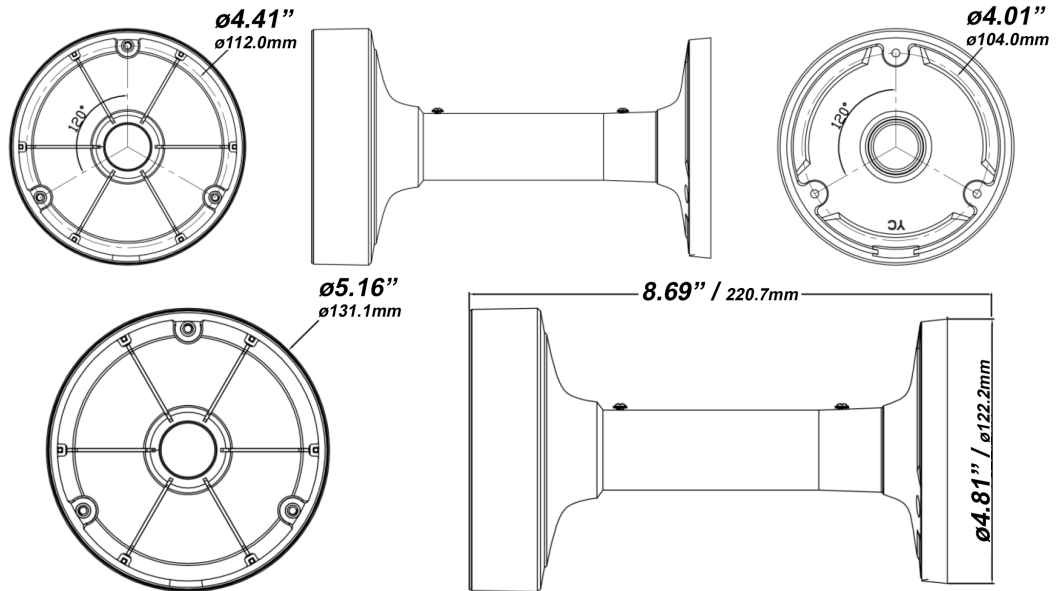
# VT-TPDM-F

Pedestal / Pendant Mount for Transcendent Series  
VTD-TND6FPN 360° Fisheye Camera



## KEY FEATURES

- Surface Treated Aluminum Alloy Composition
- Ceiling / Overhead-Mounted Pedestal / Pendant Mount for VTD-TND6FPN
- Available in White
- Dimensions: 8.7" x ø5.16" (221 x ø131mm)
- Net Weight: 1.21lb / 19.40oz (550g)
- Load Bearing: Ceiling / Surface Must be Able to Withstand at least 3 Times the Combined Weight of the Camera and Mount
- Working Temp: -40°F~140°F (-40°C ~ 60°C)
- Working Humidity 10% ~ 90%
- NDAA Compliant
- 3-Year Warranty



## RELATED PRODUCTS AND ACCESSORIES!



**VTD-TND6FPN**  
Transcendent Series  
NDAA Compliant 6  
MegaPixel Indoor/  
Outdoor Compact IP  
Vandal 360° Fisheye  
Camera



**VT-TJB-F1**  
Junction Box for  
Cable Management  
with VTD-TND6FPN



**VT-TWM-F**  
Wall Mount for  
VTD-TND6FPN



**VT-TPLMT**  
Universal  
Transcendent Pole  
Mount Adapter -  
reqs. VT-TWM-F



**VT-TCNMT**  
Universal  
Transcendent Corner  
Mount Adapter -  
reqs. VT-TWM-F



An Eye On  
Innovation

www.vitekccv.com

