

VTC-CB4MZ39

Virtuoso Series 4 MegaPixel Multi-Format Box Camera with Lens [preliminary specs]



VITEKCCTV.COM
(888) VITEK-70

Virtuoso
COAX

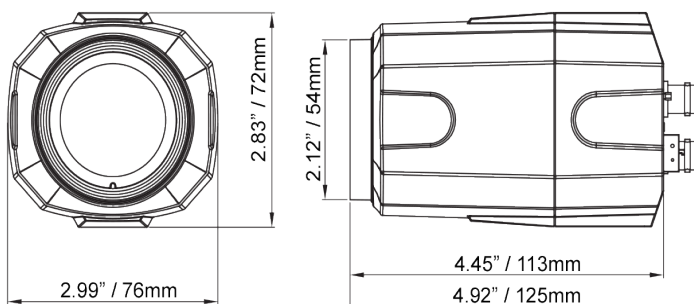


SONY
STARVIS®

KEY FEATURES

- 1/2.9" 6.64 MegaPixel Sony STARVIS® CMOS Sensor
- 4 MegaPixel Coax Based Camera (2560x1440px @ 30/25fps)
- Outstanding Low Light Performance with Sony STARVIS® Sensor
- 1500' HD-Analog Transmission Distance over Coax (Depending on Cable Characteristics and Integrity)
- Premium 4MP Multi-format Video Output, Digital: EX-SDI 1.0/ 2.0/ 2.1 (4MP/2MP/1.3MP), HD-SDI (2MP/1.3MP) HD-Analog: TVI Mode (4MP/2MP/1.3MP) , AHD Mode (4MP/2MP), CVBS Test Monitor Out
- F= 3.2~9mm Motorized Zoom Lens with Auto Fous
- Automatically Removable IR Cut Filter by Dual Filter Switch
- True WDR (Wide Dynamic Range) @30/25fps
- 120dB Dynamic Range with DOL(Digital OverLap) WDR @30/25fps
- ROI (Region of Interest) WDR @30/25fps
- Improved Noise Reduction with XD-NR
- DIS (Digital Image Stabilization) Function
- POI Zoom (Point Of Interest), Smart Motion Zoom, Preset Zoom, Home Position
- Privacy Mask, Defog, Sens-up(~x32), D-WDR, BLC/HLC, Mirror/Flip, Flickerless, Brightness, Smart IR, Lens Initialize, Title Set, Color D/N
- High performance at Low Light Sensitivity (Sens-up On)
- Variety of Resolution :
 - 1440p/1080p/720p Without Loss of FOV (Field of View)
- OSD Menu for Easy Installation and Maintenance
- Circuit Protection Protects Against Faulty Connection in Power Polarity
- Isolated Power Supply Protects Against Ground Loop Problem
- COC Control through HD-TVI (Pelco-C®) or AHD
- 12VDC, 24VAC Operation

DIMENSIONS



SPECIFICATIONS

Imaging Sensor	1/2.9" Sony 6.64 MegaPixel Sony STARVIS® CMOS Sensor
Effective Pixels	2560(H) x 1440(V)
Scan Frequency	30Hz(V), 22.5KHz(H) Progressive
Video Format	2560x1440p @25/30fps, 1920x1080p @25/30fps, 1280x720p @25/30fps NTSC / PAL (16:9)
Video Output	Digital: EX-SDI 1.0/ 2.0/ 2.1, HD-SDI HD-Analog: TVI mode, AHD mode SD-Analog: CVBS Test Monitor Out
Synchronization	Internal
Min. Illumination	Color: 0.1 Lux, B/W: 0006 Lux (@40IRE, LED Off)
S/N Ratio	More than 50dB (AGC Off)
Lens	F= 3.2~9mm, ICR, 3x Auto Focus Zoom Lens (Optical 3x, Digital 12x)
Focus	Auto / Zoom Push / Manual
Day/Night	TDN by Dual Filter Switch EXT / AUTO / COLOR / B&W / COLOR DN
White Balance	AUTO / AUTOext / MANUAL / PRESET
WDR	True WDR by dual scan images at 30fps/25fps
DOL WDR	120dB Dynamic Range with Digital Overlap by Triple Scan Images at 30/25fps
ROI WDR	Yes
DNR	XD-DNR (2D-DNR / 3D-DNR)
Special Features	POI(Point Of Interest) Zoom, Smart Motion Zoom, Preset Zoom, Home Position
Functions	D-WDR, Privacy Mask(Box, Polygon), D-Zoom, Sens-up (~x32), Defog, Mirror/Flip, BLC/HLC, Title Set, Brightness, Flickerless, Les Initialize, LED Auto/Off control
Remote Control	COC by HD-TVI (Pelco-C®) or AHD
OSD Language	English, Korean, Japanese, Chinese, German
Operating Temp.	14°F~122°F (-10°C ~ +50°C)
Operating Humidity	20%RH ~ 80%RH
Power Input	AC24V/DC12V
Power Consumption (12VDC)	370mA
Power Consumption (24VAC)	185mA
Power Features	Circuit protection against faulty connection in power polarity, and isolated power supply protects against ground loop problem
Housing	Aluminum Cast
Dimensions	2.99" W x 2.83" H x 4.92" L (76 x 72 x 125mm)
Weight	.77lbs (.35kg)

*Sony STARVIS® is a registered trademark of Sony, an independently owned and operated company. This product has not been licensed or endorsed by Sony®.

