

VTC-IR8NZ4311P

Virtuoso Series 8 MegaPixel [4K] WDR IP Bullet Camera
[preliminary specs]



VITEKCCTV.COM
(888) VITEK-70

Virtuoso

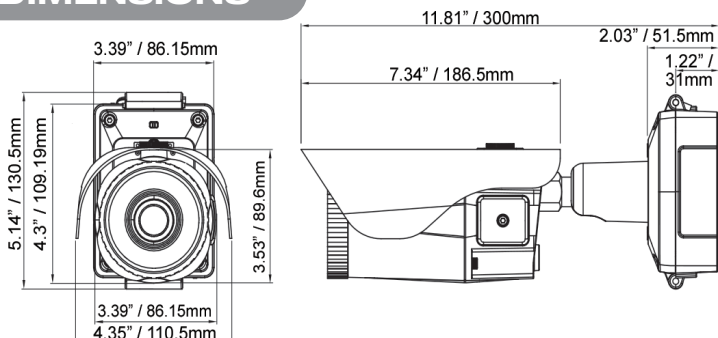


KEY FEATURES



- 1/2.5" 8.29 MegaPixel RGB Bayer Array Sony CMOS STARVIS® Sensor
- 8 MegaPixel Network Camera (3840x2160px @ 30/25fps)
- ONVIF Compliant with Zero Configuration, ONVIF Event Mapping
- Cross Web Browsing (IE, Edge, Safari, Firefox, Chrome)
- 40 IR LEDs with 150' IR Range
- Adaptive Web-Based Resizing (Layout/Display Device Resolution Dependent)
- Quad Streaming: H.265:+, Main, H.264:+, High, Main, Base, & MJPEG
- MicroSD Memory Card Slot (Supporting Local Recording up to 128GB)
- HTML5 Playback
- 2-way Audio, Alarm Input/Output
- ICR Dual Filter Switch
- F=3.6~11mm Motorized Zoom Lens with Auto Focus
- 120dB Dynamic Range with DOL (Digital Overlap) WDR @30/25fps
- Improved Noise Reduction with XD-DNR
- LDC (Lens Distortion Compensation), VCA (Video Contents Analysis) Function
- Line Crossing, Field intrusion, Appear/Disappear
- Smart Stream, RoI (Region of Interest)
 - Enables Smart Processing of Video Data According to User's Needs
 - Enables High Quality Video on RoI and Lower Quality Video on non-RoI
 - Lowers Overall Bandwidth and Reduces Storage Burden
- Motion Detection, Privacy Masking, Defog, D-Zoom(~10x), Mirror/Flip, Sens-up (Slow shutter), Hue, Contrast, Brightness / Saturation, Sharpness
- Circuit Protection Against Faulty Connection in Power Polarity
- Isolated Power Supply Protects Against Ground Loop Issues
- IP-68 Protection, Built-in Fan and Optimized Cooling system, Dual Window
- One Touch 3-Axis Locking Bracket with Junction Box
- Integral Junction Box
 - RJ-45 and Network Wiring Connector (LSA) Provided
 - Junction Box Cover Opening (Sabotage) Alarm Can be Triggered and Integrated with Various Event Actions.
- 3-Axis Mount with Simple One-Turn Positioning Lock for Ease of Installation
- 12VDC, 24VAC and PoE Operation (Power over Ethernet, IEEE Std. 802.3af)

DIMENSIONS



SPECIFICATIONS

Imaging Sensor	1/2.5" 8.29 MP RGB Bayer Array Sony CMOS STARVIS® Sensor
Effective Pixels	3840(H) x 2160(V)
Sensitivity	Color : 0.2 Lux, B/W : 0.02 Lux (Sens-up OFF)
Scanning Mode	Progressive Scan
S/N Ratio	51dB
IR LEDs / Range	40 850nm Dynamic Intensity IR LEDs / 150'
Lens	F=3.6~11mm F1.5, 3x Motorized Zoom Lens
Day/Night	ICR by Auto, Day, Night, External, Color D/N
Auto Exposure	Automatic (Priority: Frame Rate/Low Noise), Manual
Shutter Speed Control	Automatic: Min. 1/10,000 sec ~ Max.1/30 sec Manual: Min. 1/10,000 sec ~ Max.1/30 sec
Gain Control	Automatic: ~ Max. 39dB / Manual: ~ Max. 39dB
Auto White Balance Mode	ATW-Indoor/Outdoor, Shade, Clear sky, Fluorescent light, Light bulb, Flame, Manual
DOL WDR	120dB Dynamic Range with Digital Overlap by Triple Scan Images at 30/25fps
DNR	XD-DNR (2D-NR, 3D-NR)
Functions	Motion Detection, Privacy Mask, Defog, D-Zoom(~x10), Mirror/Flip, Sens-up(Slow shutter), Brightness, Contrast, Saturation, Sharpness, Hue, LDC, Vertical View (90°/270°)
Installation Temp.	-4°F ~ 122°F (-20°C ~ +50°C) / Humidity : 20%RH ~ 80%RH
Operating Temp.	-40°F ~ +122°F (-40°C ~ +50°C) / Humidity: 20%RH ~ 80%RH
Dimensions. w/ J-Box	4.35" W x 5.14" H x 11.81" L (110.5 x 130.5 x 300mm)
Dimensions w/out J-Box	4.35" W x 4.33" H x 10.11" L (110.5 x 110 x 260mm)
Weight w/ J-Box	3.64lbs (1.65kg)
Ingress Protection	IP68
Housing	Cast Aluminum, Dual window, Fan & Optimized Cooling system, One Touch 3-Axis Locking Bracket & Junction Box
Power Input	PoE(IEEE Std. 802.3af), DC12V/AC24V
Pwr Consump. 12VDC, 24VAC	580mA (IR Off) / 1100mA (IR On), 290mA (IR Off) / 550mA (IR On)
Power Consumption (PoE)	11 Watts
Video Compression	H.265:+, Main, H.264:+, High, Main, Base, & MJPEG
Video Resolution	3840x2160(4K), 2592x1520, 1920x1080, 1600x900, 1280x720, 960x540, 640x360, 320x180
Video Frame Rate	Up to 30/25fps@3840x2160p
Video Streaming	Simultaneous H.265 and MJPEG (Quad Streaming) or Simultaneous H.264 and MJPEG (Quad Streaming) Independent Frame Rate and Bandwidth Control, VBR/CBR Mode
FTP Uploading	MJPEG Still Image
Login Authority	Administrator, Operator, Guest
Security	Multi User Authority, IP Filter, HTTPS Video Stream, Import/Export
Network Time Sync.	Synchronize Computer/NTP Server, Manual
Software Reset	Restart, Reset, Factory Default
Auto Recovery	Backup, Restore
Remote Upgrade	Using Web Browser
Protocol	TCP/IP, UDP, IPv4/v6, HTTP, HTTPS, FTP, UPnP, RTP, RTSP, RTCP, DHCP, ARP, Zeroconf, Bonjour
Client Software	Built-In Web, ONVIF Compatible 3rd Party VMS
SD Memory Card	Slot for 128GB Micro SD Memory Card (H.264 recording)
Audio & Alarm	2-way Audio & Alarm Input / Output
SDK Support	API, ONVIF Profile S Compliant

*Sony STARVIS® is a registered trademark of Sony, an independently owned and operated company. This product has not been licensed or endorsed by Sony®.

